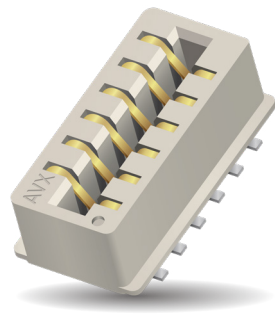


Vertical Dual Row Top Entry Card Edge

9159-650



GENERAL DESCRIPTION

AVX Interconnect continues to develop unique connectors to fill the gap in the market. The newest addition to AVX's broadening line of one piece card edge connectors is the 4p-12p dual row top entry version 9159-650, which is extension of popular single row version 9159-550. This new configuration with staggered dual row contacts will allow doubled number of positions in similar size of the connector. Available in both without and with polarization where the mating PCB layout is modified to form a key, to avoid wrong insertion to the connector.

This small connector is packed with several key features that provide significant functionality in a broad range of applications. The proven contact system is gold plated for enhanced reliability, signal integrity and full 2.5A/contact current rating. The connector is designed for mating PCB board with 1.6mm thickness and gold plated pads.

APPLICATIONS

Provides a one piece connector solution for perpendicular PCB mating in applications:

- Automotive
- Industrial
- Lighting

FEATURES AND BENEFITS

- 2.5 Amps per contact current rating meets robust application requirements
- Doubled number of positions with dual row solution
- Optional kapton tape version supports pick and place robotic placement and SMT termination
- Available version with polarization where the mating PCB layout is modified to form a key, to avoid error during insertion
- Gold plated BeCu contact system for high reliability in harsh environments

HOW TO ORDER

	00	9159	0XX	65X	9	0	6		
Prefix									
Series									
No. of Ways									

Code	Size	Contacts
004	2x2	4
006	2x3	6
008	2x4	8
010	2x5	10
012	2x6	12

Plating Options
6 = Gold plating on nose with Tin on Tails

Keying
0 = without keying
1 = with keying

Insulator Color

Code	Color	Application
9	White	UL Approved Standard

Double Sided Thru Board Card Edge
651 = with Kapton Tape
653 = without Kapton Tape

Vertical Dual Row Top Entry Card Edge

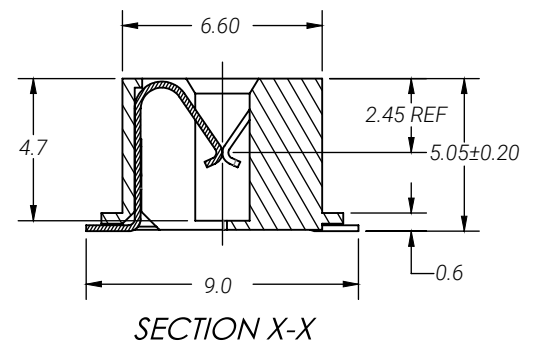
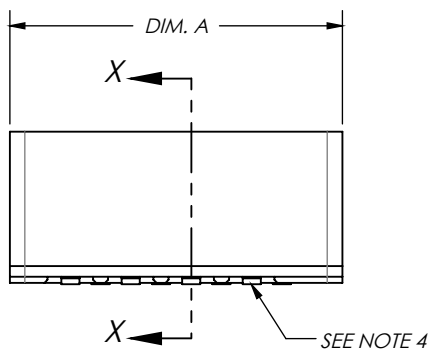
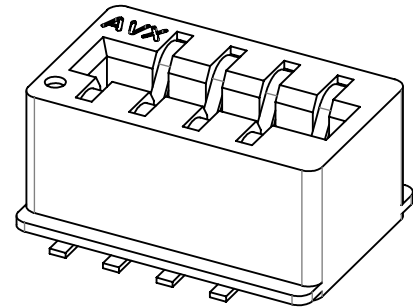
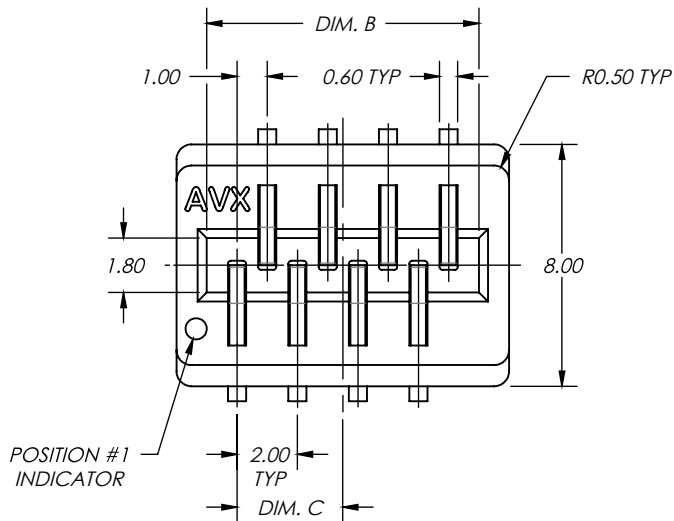
9159-650



00 9159 0XX 65X 906

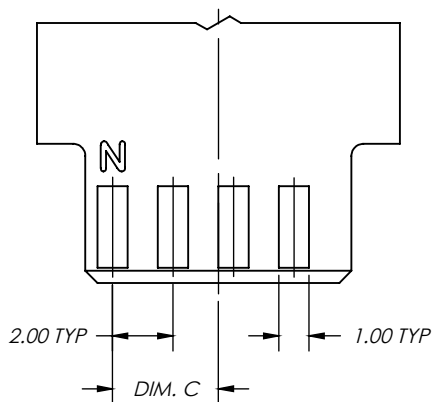
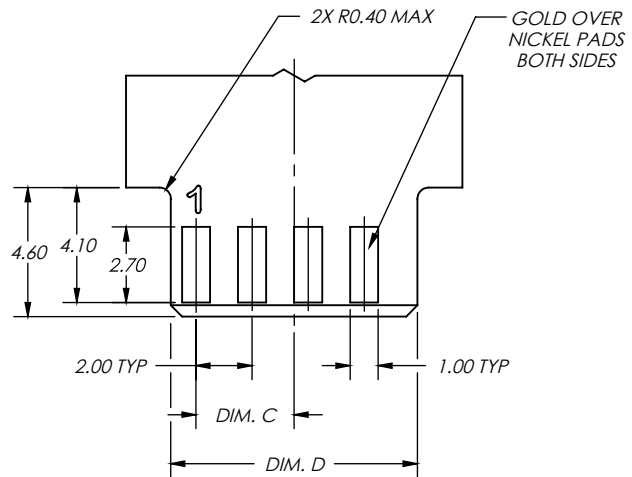
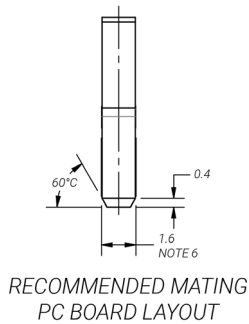
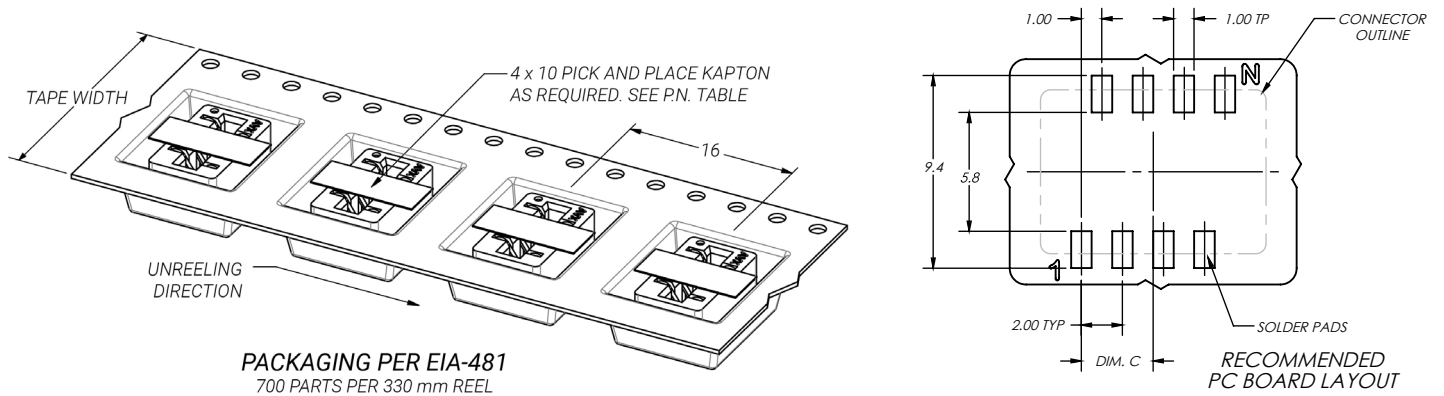
DIMENSIONS

Part Number	Size	Dim. A	Dim. B	Dim. C	Dim. D	Tape Width	Kapton Tape
00-9159-004-651-906	2 x 2	7.0	5.0	1.5	4.8	24	YES
00-9159-004-653-906							NO
00-9159-006-651-906	2 x 3	9.0	7.0	2.5	6.8	24	YES
00-9159-006-653-906							NO
00-9159-008-651-906	2 x 4	11.0	9.0	3.5	8.8	24	YES
00-9159-008-653-906							NO
00-9159-010-651-906	2 x 5	13.0	11.0	4.5	10.8	32	YES
00-9159-010-653-906							NO
00-9159-012-651-906	2 x 6	15.0	13.0	5.5	12.8	32	YES
00-9159-012-653-906							NO



Vertical Dual Row Top Entry Card Edge

9159-650



NOTES:

1. FOR FURTHER DETAILS, REFER TO AVX SPECIFICATION 20-01-226 AND APPLICATION NOTES 201-01-227.
2. HOUSING MATERIAL: GLASS-FILLED, HIGH TEMPERATURE NYLON; FLAME RETARDANT PER UL94V-0; COLOR: NATURAL.
3. CONTACT MATERIAL: HIGH STRENGTH COPPER ALLOY.
4. CONTACT PLATING: NICKEL UNDERPLATE ALL OVER; GOLD FLASH IN CONTACT AREA; LEAD-FREE MATTE TIN ON TAILS.
5. CONTACT TAIL CO-PLANARITY TO BE WITHIN 0.10 mm.
6. MATING PCB THICKNESS TO INCLUDE COPPER AND PLATING.
7. UL APPROVED (US AND CANADA) UL REFERENCE E90723.

Vertical Dual Row Top Entry Card Edge

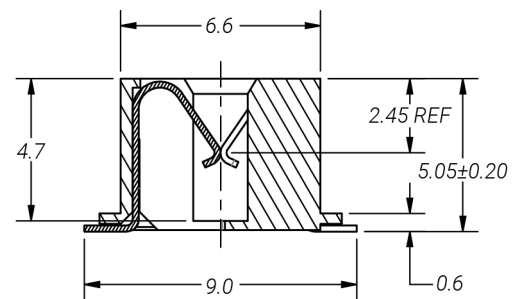
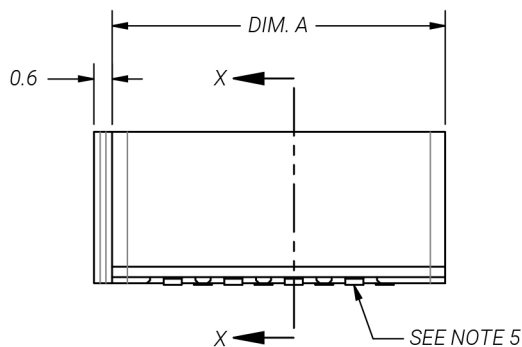
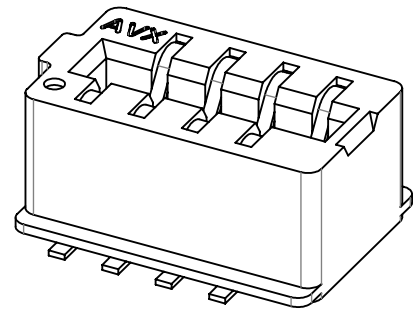
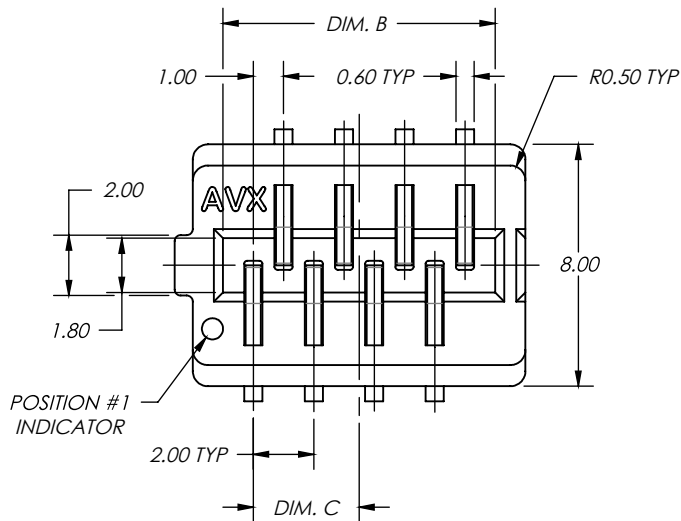
9159-650



00 9159 0XX 65X 916

DIMENSIONS

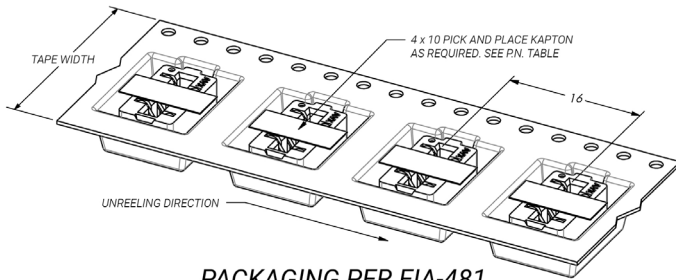
Part Number	Size	Dim. A	Dim. B	Dim. C	Dim. D	Tape Width	Kapton Tape
00-9159-004-651-916	2 x 2	7.0	5.0	1.5	4.8	24	YES
00-9159-004-653-916							NO
00-9159-006-651-916	2 x 3	9.0	7.0	2.5	6.8	24	YES
00-9159-006-653-916							NO
00-9159-008-651-916	2 x 4	11.0	9.0	3.5	8.8	24	YES
00-9159-008-653-916							NO
00-9159-010-651-916	2 x 5	13.0	11.0	4.5	10.8	32	YES
00-9159-010-653-916							NO
00-9159-012-651-916	2 x 6	15.0	13.0	5.5	12.8	32	YES
00-9159-012-653-916							NO



SECTION X-X

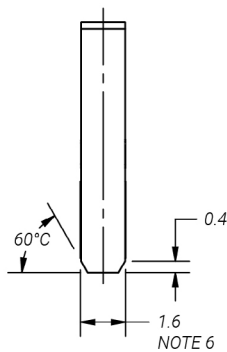
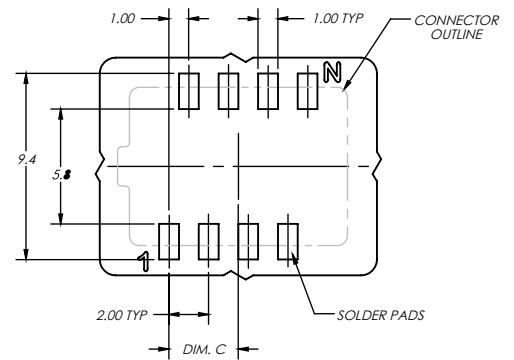
Vertical Dual Row Top Entry Card Edge

9159-650

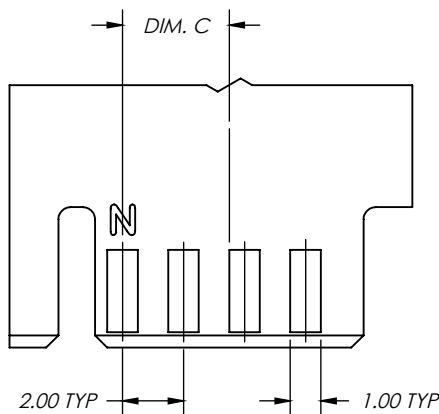
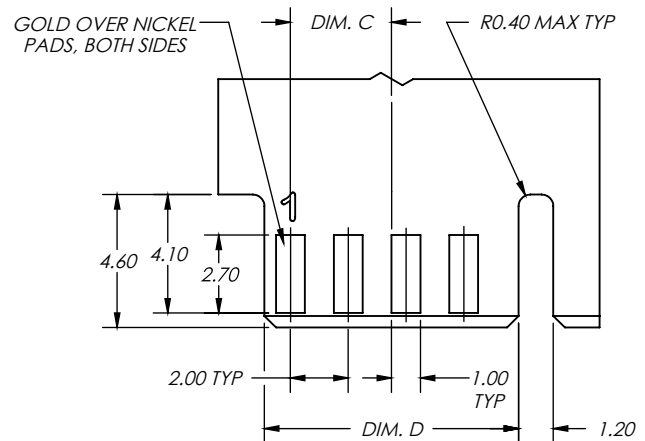


PACKAGING PER EIA-481
700 PARTS PER 330 mm REEL

RECOMMENDED PC BOARD LAYOUT



**RECOMMENDED MATING
PC BOARD LAYOUT**



NOTES:

1. FOR FURTHER DETAILS, REFER TO AVX SPECIFICATION 201-01-226 AND APPLICATION NOTES 201-01-227.
2. HOUSING MATERIAL: GLASS-FILLED, HIGH TEMPERATURE NYLON; FLAME RETARDANT PER UL94V-0; COLOR: NATURAL.
3. CONTACT MATERIAL: HIGH STRENGTH COPPER ALLOY.
4. CONTACT PLATING: NICKEL UNDERPLATE ALL OVER; GOLD FLASH IN CONTACT AREA; LEAD-FREE MATTE TIN ON TAILS.
5. CONTACT TAIL CO-PLANARITY TO BE WITHIN 0.10 mm.
6. MATING PCB THICKNESS TO INCLUDE COPPER AND PLATING.
7. UL APPROVED (US AND CANADA); UL REFERENCE E90723.